

BULK WATER DISPENSING



Mini General™

MG



The **Mini General™** is an economical solution for low volume bulk water dispensing applications.

EACH SYSTEM INCLUDES:

Insulated Enclosure, 2" Stainless Steel Piping, Backflow Preventor, Meter Valve, Access Terminal, and Field Terminal Box.

Data communication with the system can be via a variety of methods, including direct (serial or ethernet), dial-up modem, 1x cellular, and radio.

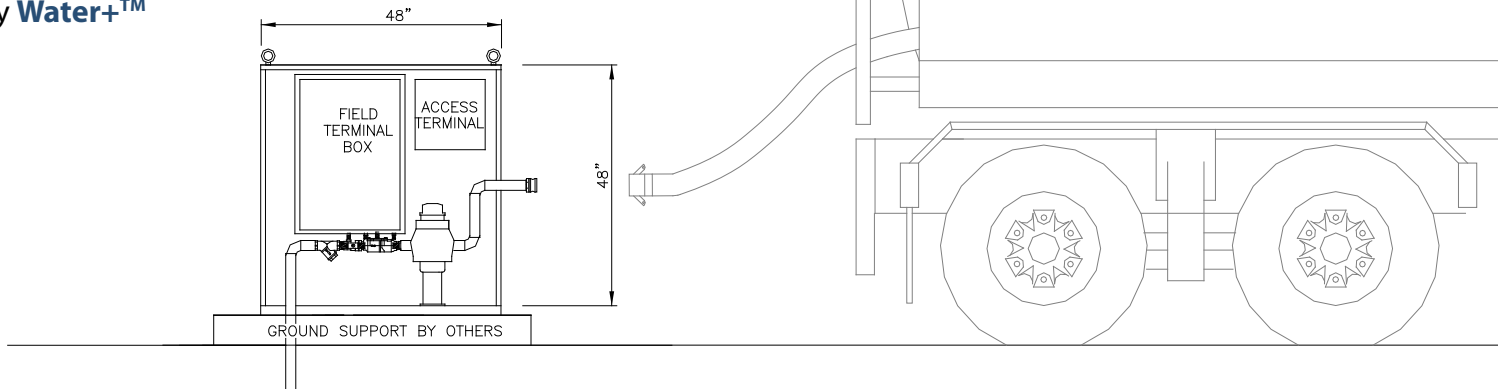
The **Mini General™** interfaces with **Water+™** System Administration Software.

OPERATION SEQUENCE:

1. Connect fill hose to water tank
2. Proceed to Access Terminal:
 - ▣ Input 3 Digit Customer Access # – Press "Enter"
 - ▣ Input 4 Digit Security Pin # – Press "Enter"
 - ▣ Customer account balance is displayed (for Pre-Paid Customers) – Press "Enter"
 - ▣ Input desired fill quantity – Press "Enter"
 - ▣ Press "Start"

Pumping stops when quantity is reached or "Stop" button is pressed.

Each transaction is date and time stamped and recorded by **Water+™**



Municipal Solutions

877.655.5585 F 888.655.5588

www.municipal-solutions.com